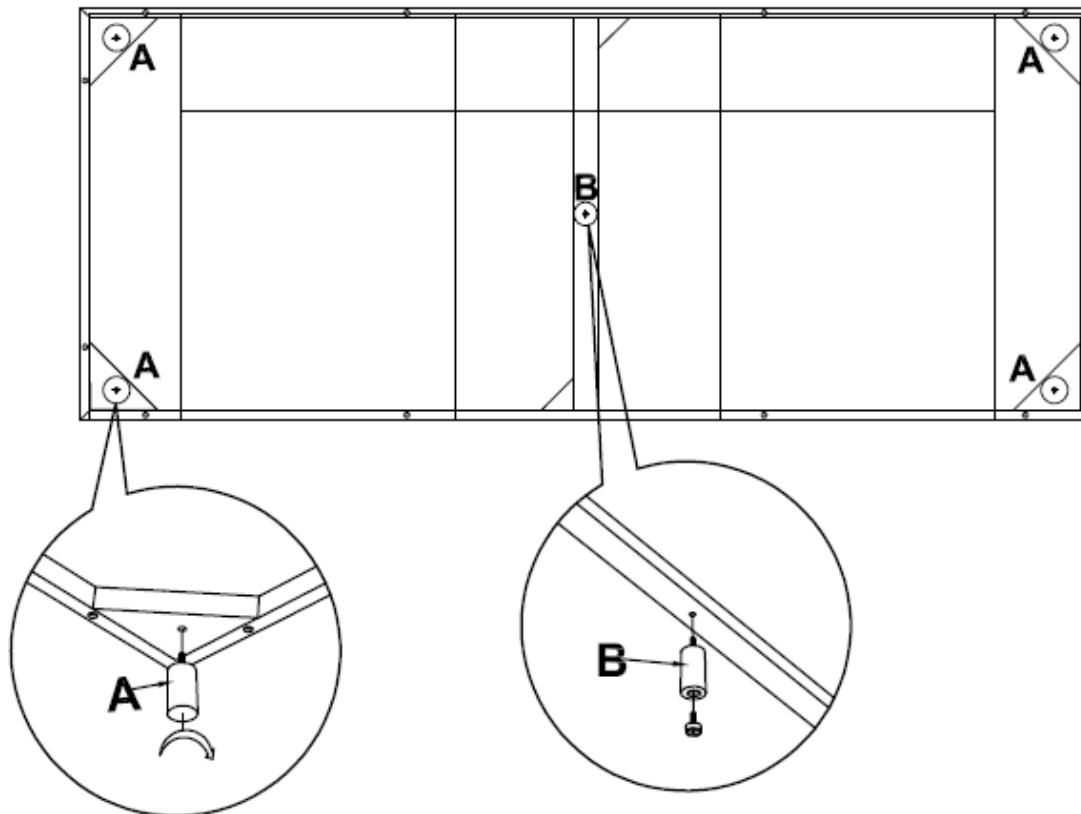


The components are heavy, assembly should be performed by two people.

Find the support feet in a bag located under the suite.

Attach the feet by hand-tightening in the corners of the frame. If there is a support leg for the piece you are setting up, note that it is a different size to the other legs.



NO.	Name	Parts List		Parts quantity(Unit:Pcs)				
				3S	2S	1S		
<b>A</b>	Wood feet		55mm*H100mm	<b>4</b>	<b>4</b>	<b>4</b>		
<b>B</b>	Wood feet		Ø45mm*H100mm	<b>1</b>				

This appliance is not intended for use by persons (including children) with reduced physical, sensory or mental capabilities, or lack of experience and knowledge, unless they have been given supervision or instruction concerning the use of the appliance by a person responsible for their safety. Children should be supervised to ensure that they do not play with the appliance.